

6

5

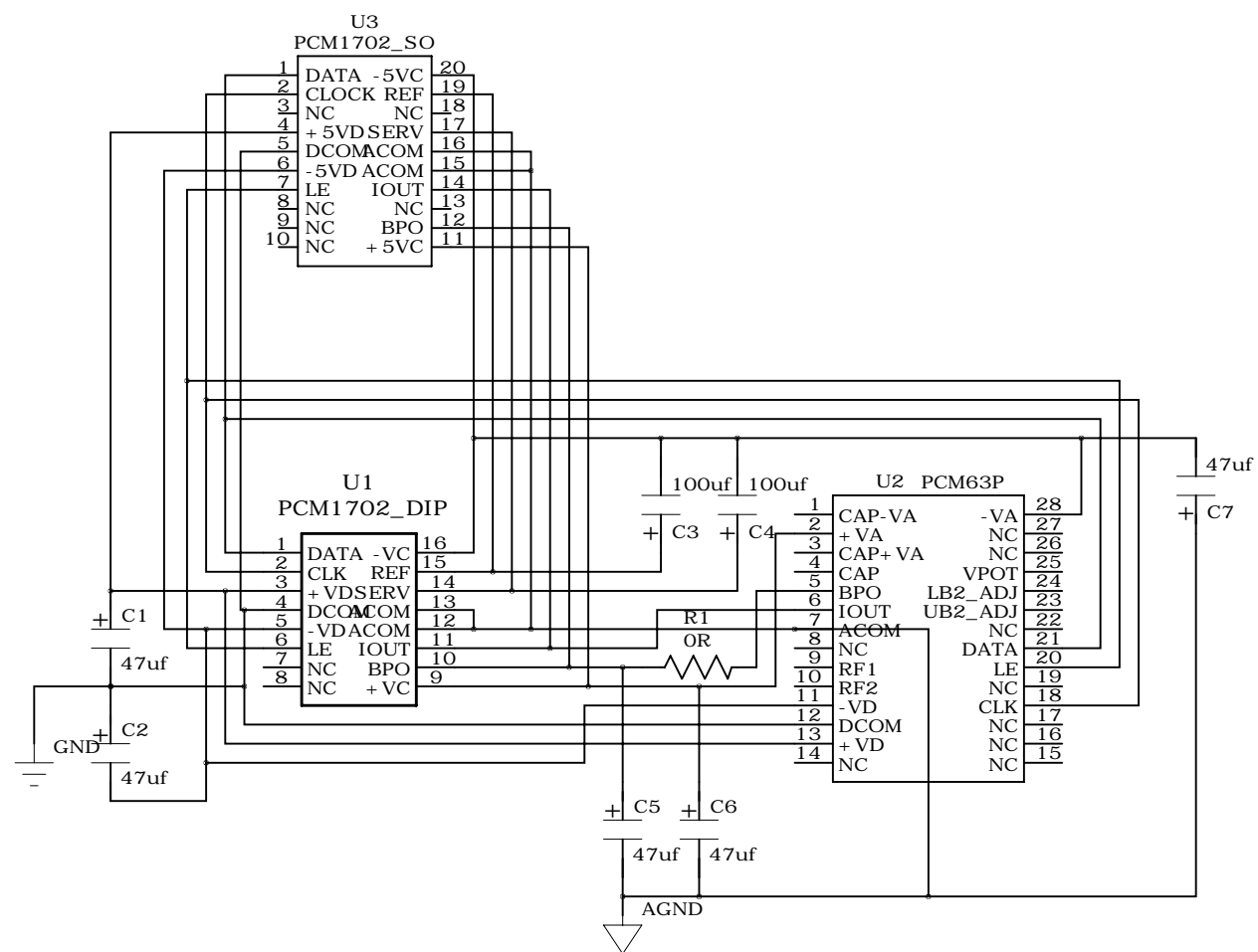
4

3

2

1

REVISION RECORD			
LTR	ECO NO:	APPROVED:	DATE:



COMPANY:			
TITLE:			
DRAWN:	DATED:	CODE:      SIZE:      DRAWING NO:      REV:	
CHECKED:	DATED:	SCALE:      SHEET:      OF	
QUALITY CONTROL:	DATED:		
RELEASED:	DATED:		

D

D

C

C

B

B

A

A