

6

5

4

3

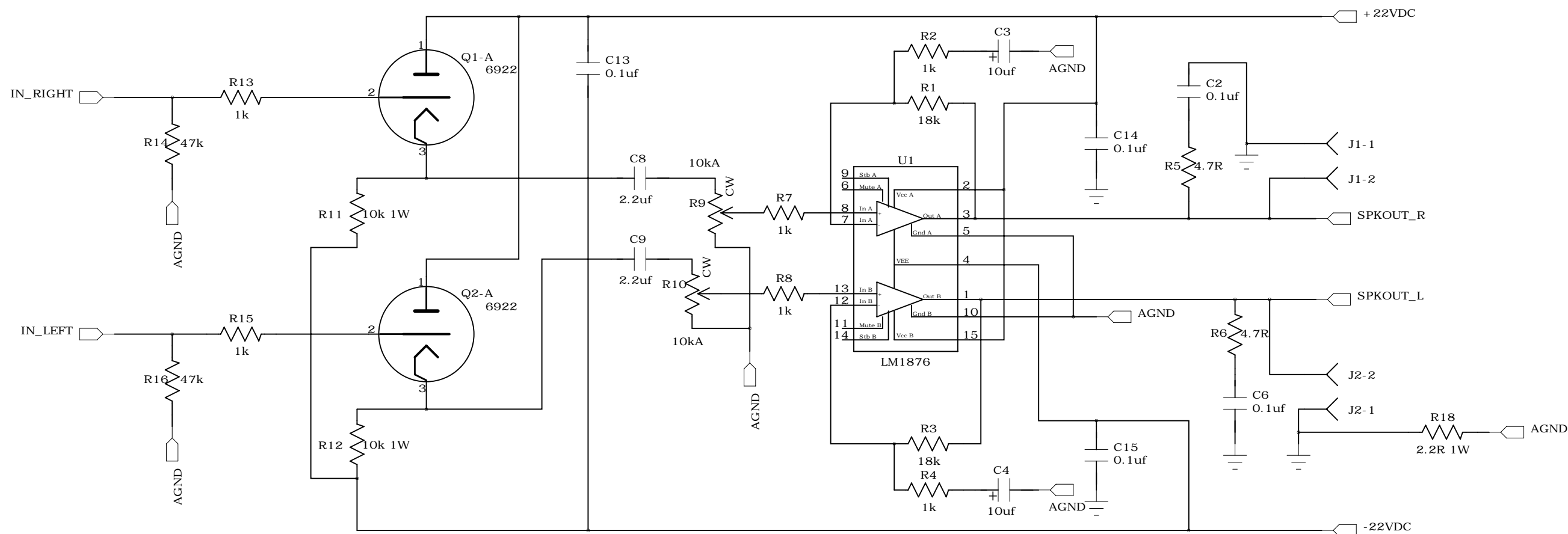
2

1

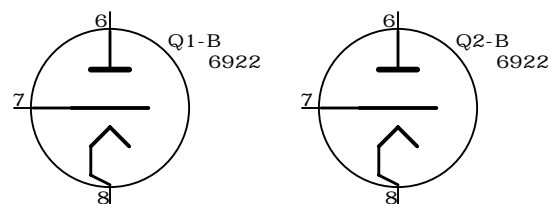
REVISION RECORD			
LTR	ECO NO:	APPROVED:	DATE:

6922 = 6DJ8 = ECC88

R9 & R10 is dual pot



Use two valve but half of the valve is idle



Filament pin 4 and pin 5
Valve pin is Bottom View

COMPANY:			
TITLE: Ipod valve buffer amp			
CODE:	SIZE:	DRAWING NO:	REV:
SCALE:			SHEET: OF

DRAWN:	DATED:
CHECKED:	DATED:
QUALITY CONTROL:	DATED:
RELEASED:	DATED:

D

D

C

C

B

B

A

A

6

5

4

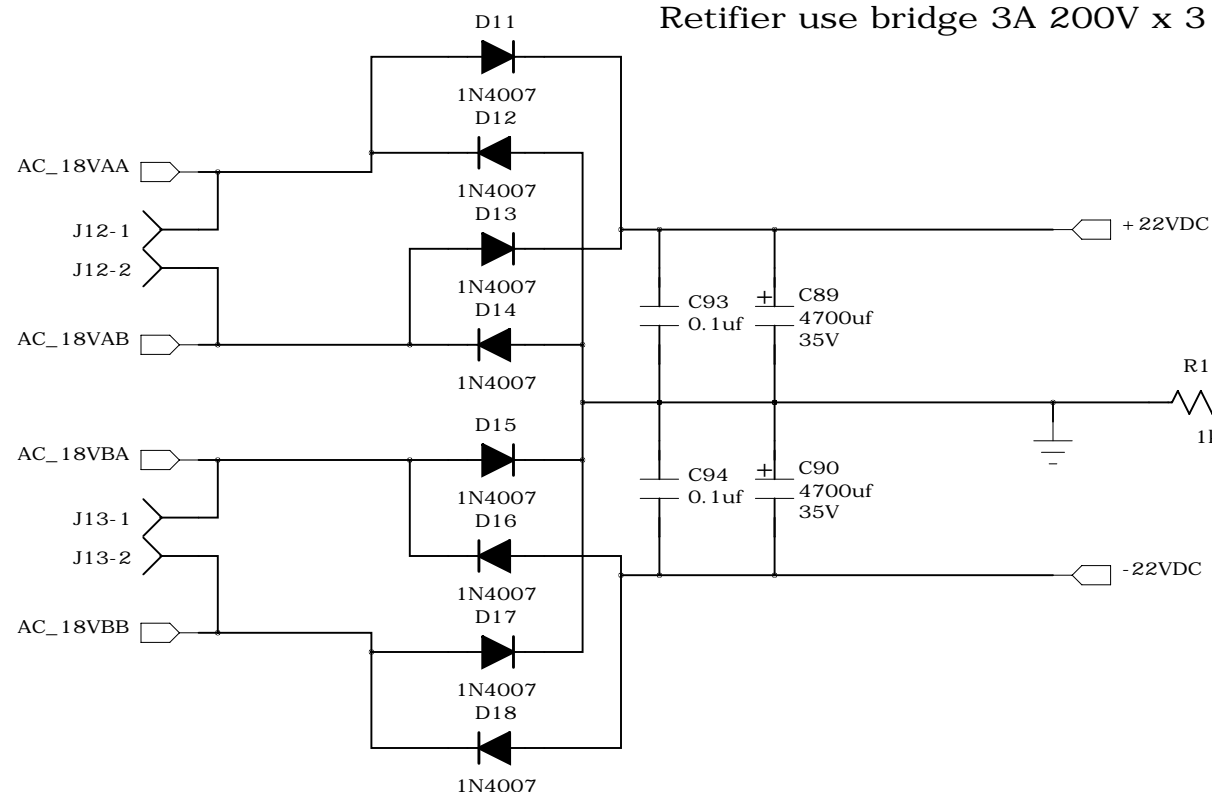
3

2

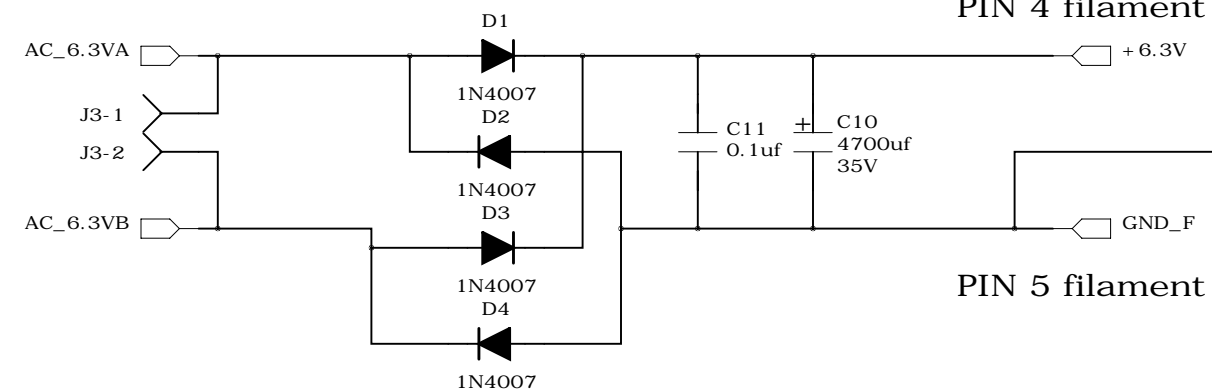
1

REVISION RECORD			
LTR	ECO NO:	APPROVED:	DATE:

Retifier use bridge 3A 200V x 3



PIN 4 filament



Use bridge rectifier 3A, 200V

COMPANY:			
TITLE:			
CODE:	SIZE:	DRAWING NO:	REV:
SCALE:			SHEET: OF

DRAWN:	DATED:
CHECKED:	DATED:
QUALITY CONTROL:	DATED:
RELEASED:	DATED:

D

D

C

C

B

B

A

A