

6

5

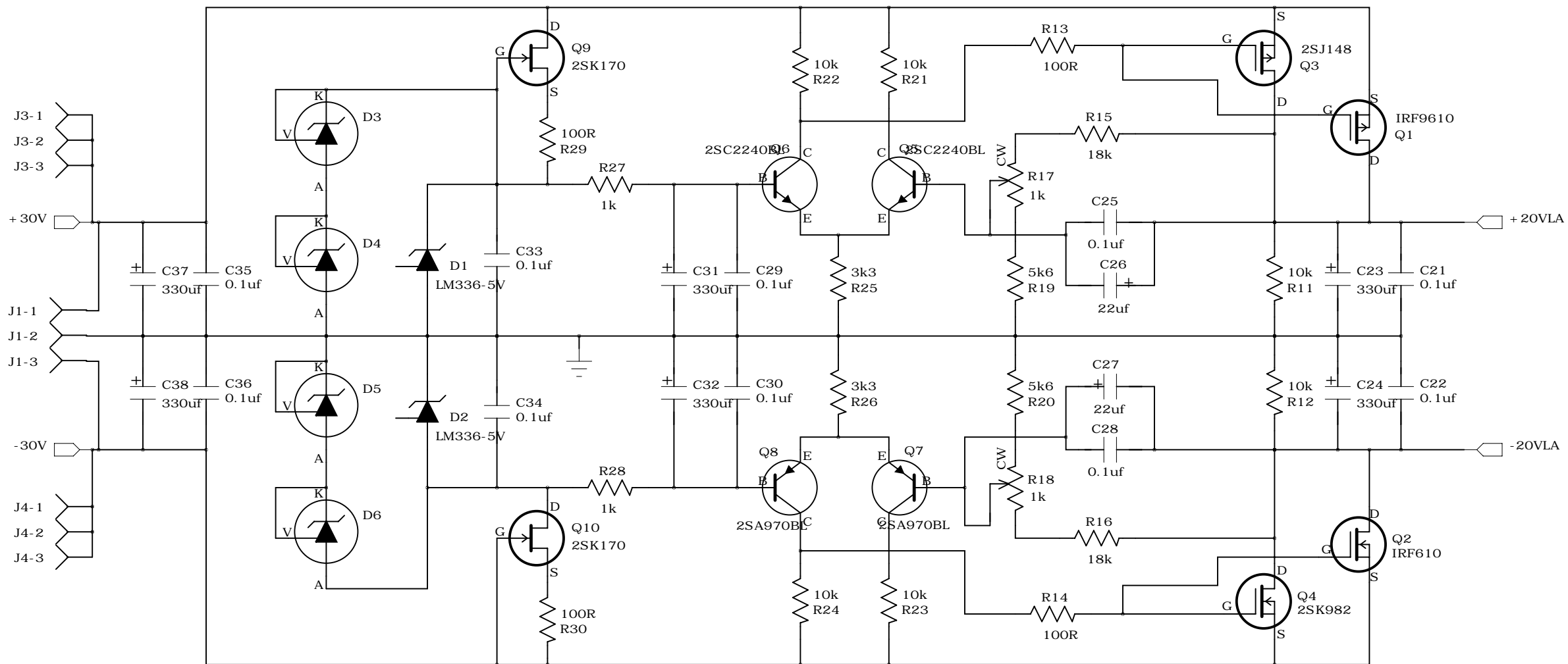
4

3

2

1

REVISION RECORD			
LTR	ECO NO:	APPROVED:	DATE:



Notes:

- 1. Use either TL431 or LM336, do not put both together
  - 2. Use either J148/K982 or IRF9610/IRF610.
- Change R25/R26 from 1.5k to 2k - Oct 2007

COMPANY:

TITLE:

Jfet Regulator

DRAWN:	DATED:
CHECKED:	DATED:
QUALITY CONTROL:	DATED:
RELEASED:	DATED:

CODE:	SIZE:	DRAWING NO:	REV: 2
SCALE:		SHEET: OF	

6

5

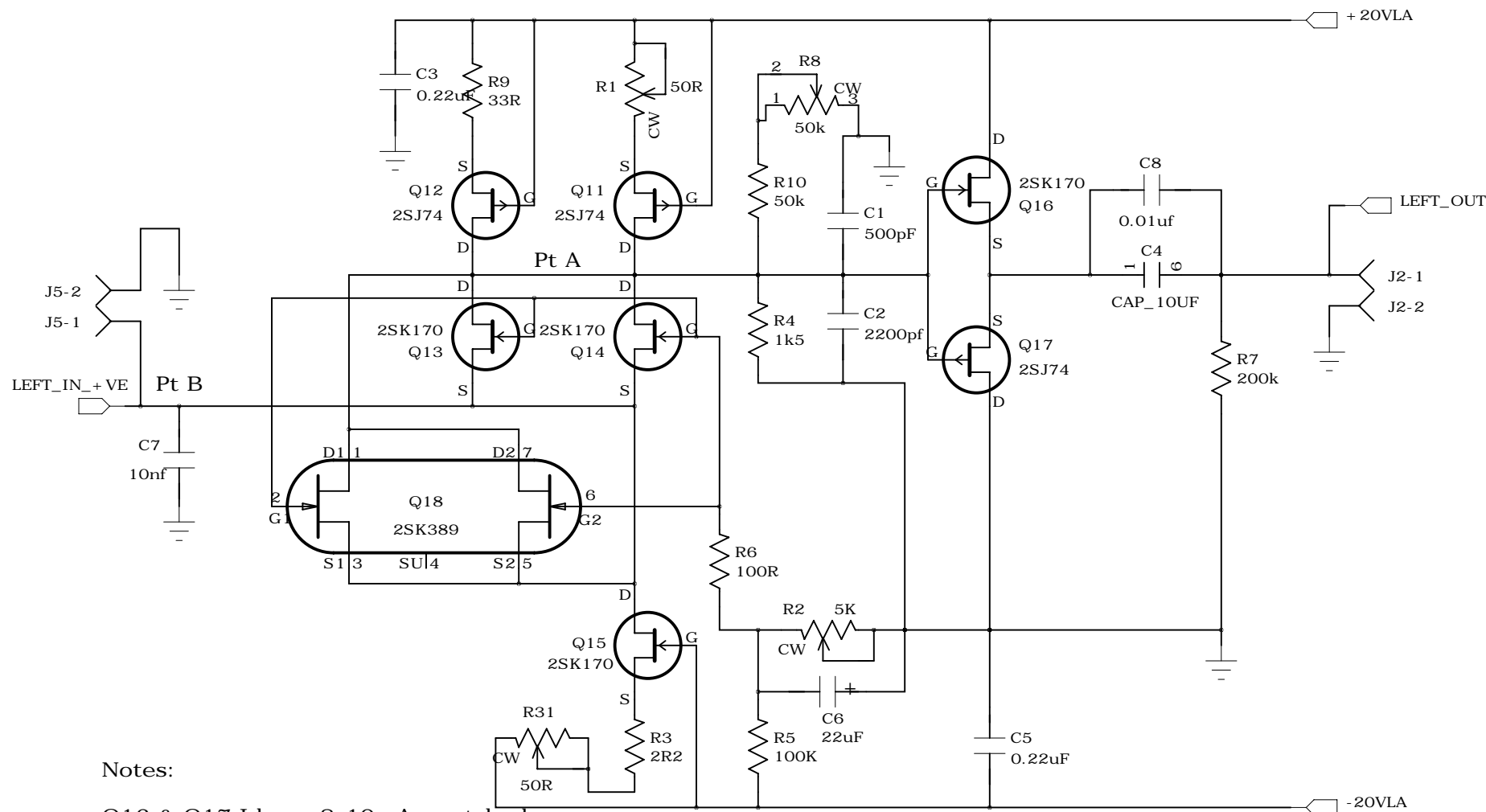
4

3

2

1

REVISION RECORD			
LTR	ECO NO:	APPROVED:	DATE:



Notes:

- Q16 & Q17 Idss = 8-10mA, matched
- Q11 & Q12 Idss > 10 mA; use either one or both depending on Idss of Jfet
- Q13 & Q14 Idss > 10 mA; use either one or both for Q13, Q14 OR use Q18 depending on Idss rating
- Q15 Idss = 6 ~ 8 mA
- Adjust R31 till dc current = 2 to 3 mA through R3
- Adjust R2 till point B to 0V
- Adjust R1 till point A is 10V dc
- Adjust R8 till Vout ac level match with other channel (Optional)
- Adjust R4 for target output level,  $V = R4 \times I_{out}$  of DAC. Example  $2V_{rms} = 1500 \times I_{out}$
- \*\* Change R3 from 10R to 2R2 to increase idle current. - lower ac input impedance

COMPANY:			
TITLE: Jfet IV			
CODE:	SIZE:	DRAWING NO:	REV: 2
SCALE:			SHEET: OF

DRAWN:	DATED:
CHECKED:	DATED:
QUALITY CONTROL: /-2mA DAC	DATED:
RELEASED:	DATED:

D

C

B

A

D

C

B

A