

6

5

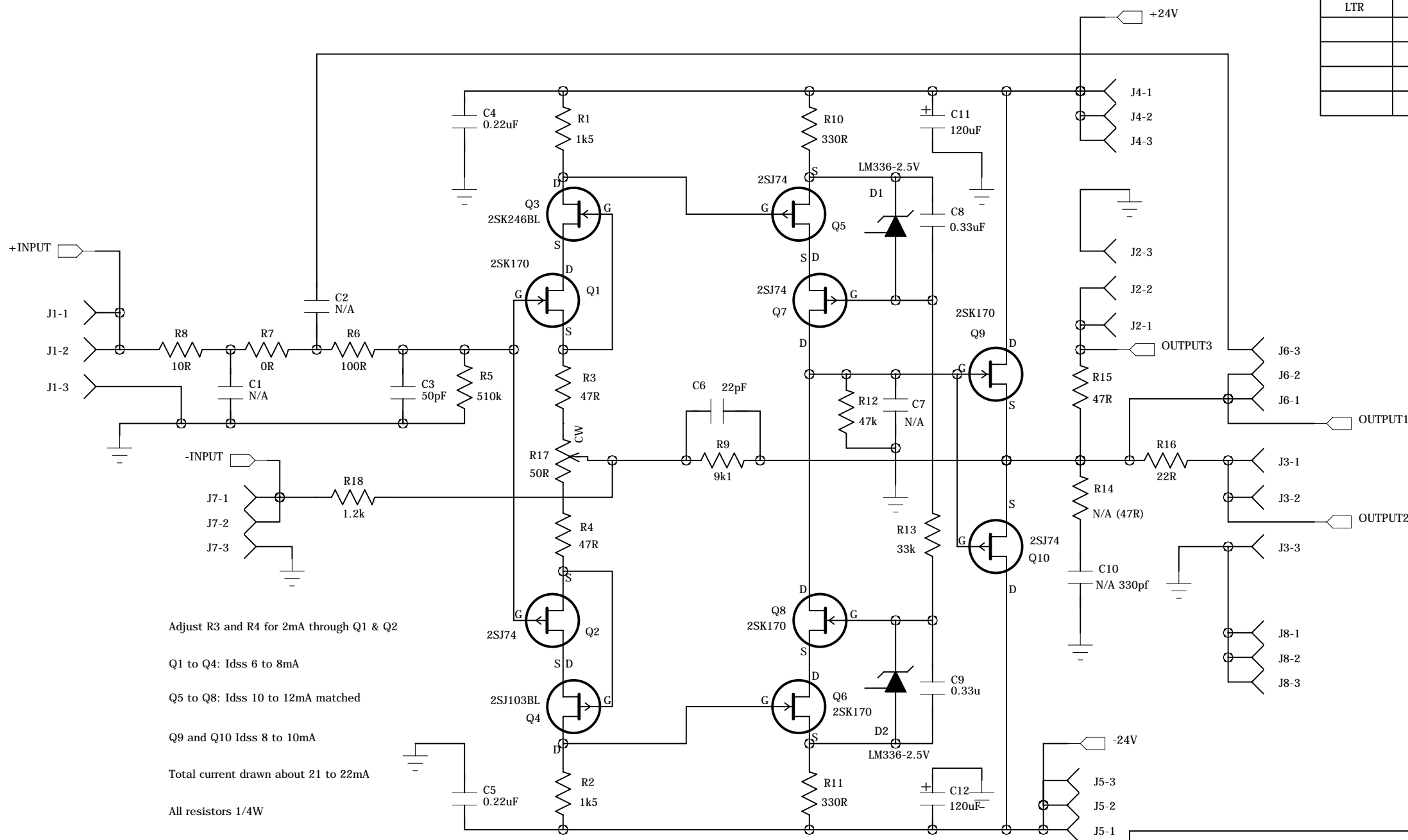
4

3

2

1

REVISION RECORD			
LTR	ECO NO:	APPROVED:	DATE:



Adjust R3 and R4 for 2mA through Q1 & Q2

Q1 to Q4: Idss 6 to 8mA

Q5 to Q8: Idss 10 to 12mA matched

Q9 and Q10 Idss 8 to 10mA

Total current drawn about 21 to 22mA

All resistors 1/4W

COMPANY:

TITLE:
Jfet Buffer or Filter

DRAWN:	DATED:
CHECKED:	DATED:
QUALITY CONTROL:	DATED:
RELEASED:	DATED:

CODE:	SIZE:	DRAWING NO:	REV:
SCALE:			SHEET: OF

D

C

B

A

D

C

B

A