

6

5

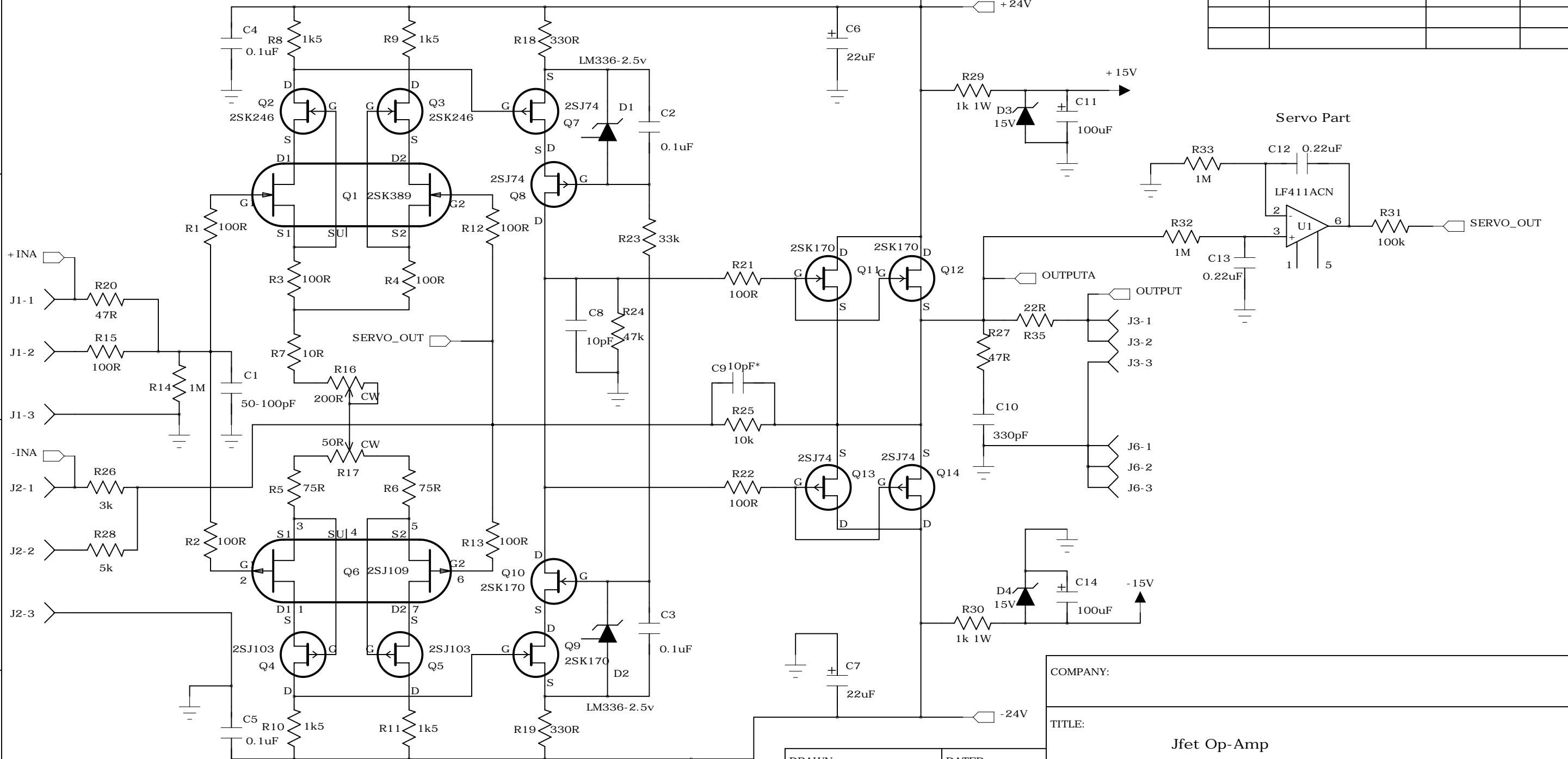
4

3

2

1

REVISION RECORD			
LTR	ECO NO:	APPROVED:	DATE:



Short J2-1 or J2-2 to J2-3 for gain adjust

DRAWN:	DATED:
CHECKED:	DATED:
QUALITY CONTROL:	DATED:
RELEASED:	DATED:

COMPANY:			
TITLE: Jfet Op-Amp			
CODE:	SIZE:	DRAWING NO:	REV:
SCALE:			SHEET: OF

D

D

C

C

B

B

A

A