

6

5

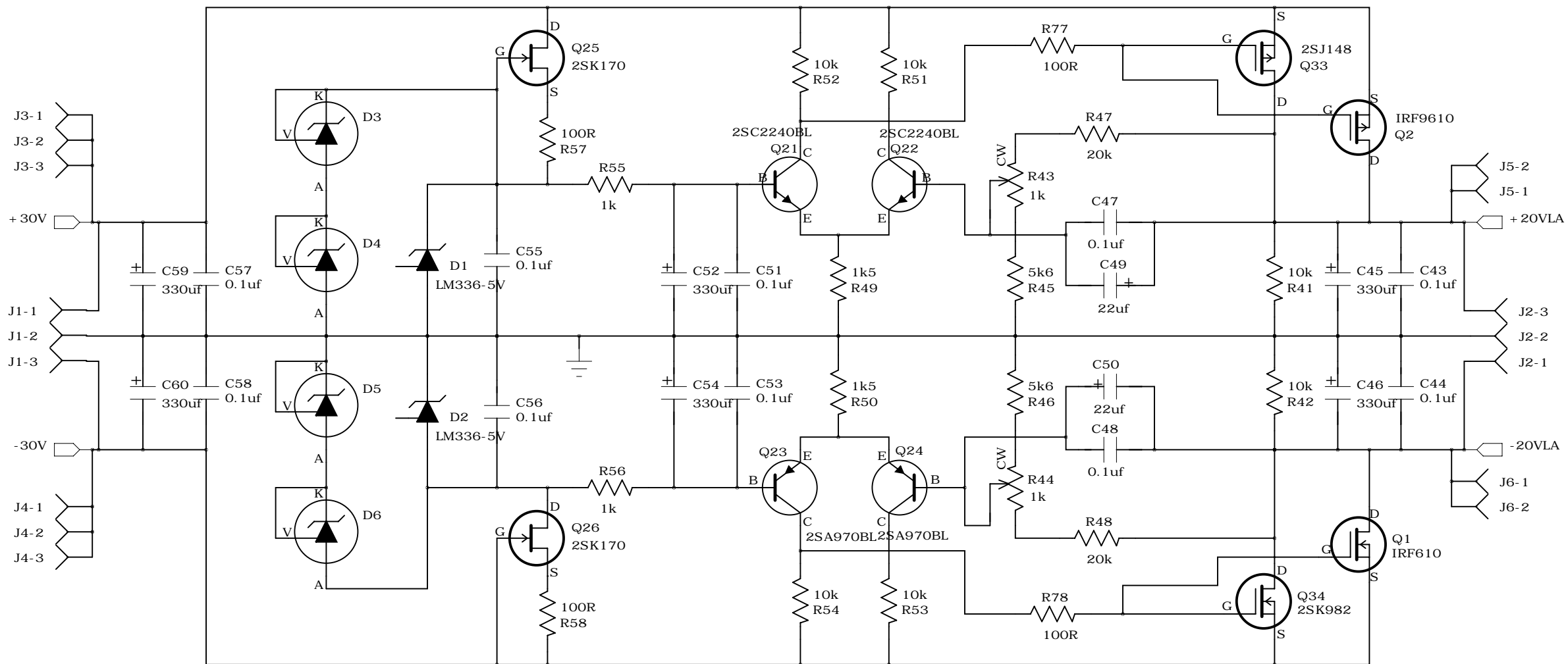
4

3

2

1

REVISION RECORD			
LTR	ECO NO:	APPROVED:	DATE:



Notes:

1. Use either TL431 or LM336, do not put both together
2. Use either J148/K982 or IRF9610/IRF610.

COMPANY:

TITLE:

DRAWN:	DATED:
CHECKED:	DATED:
QUALITY CONTROL:	DATED:
RELEASED:	DATED:

CODE:	SIZE:	DRAWING NO:	REV:
SCALE:		SHEET: OF	