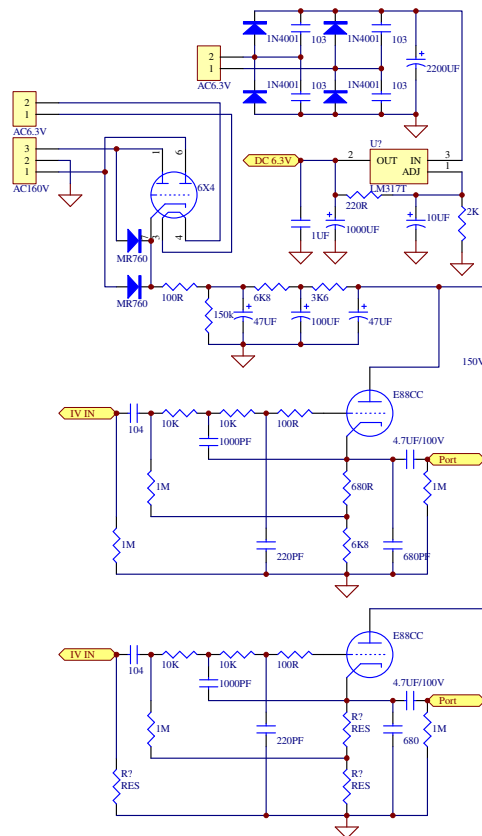


TDA1541A NOS DAC OP LPF BOARD



TDA1541A NOS DAC TUBE LPF BOARD

Title		
Size	Number	Revision
B		
Date:	31-Dec-2005	Sheet of
File:	E:\MY Designs\MyDesign.dwg	Drawn By: