

6

5

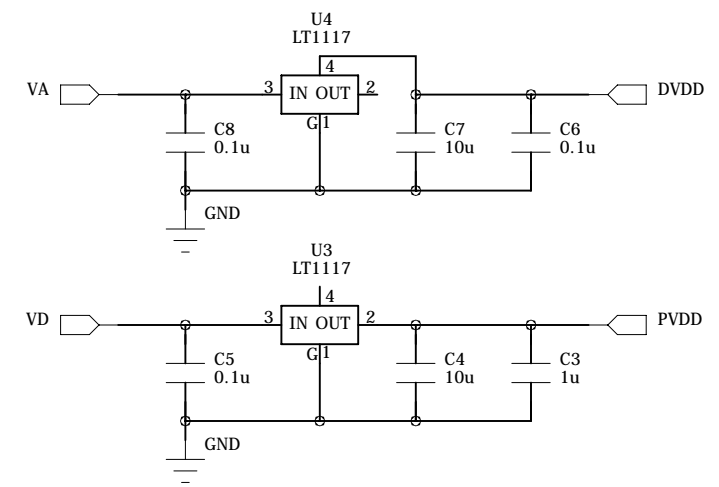
4

3

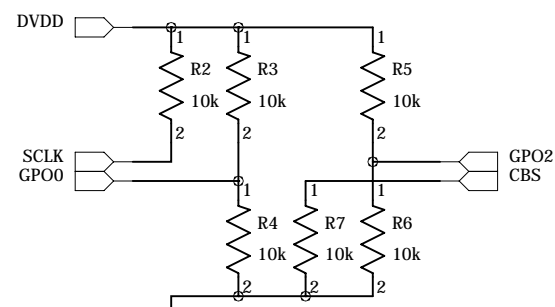
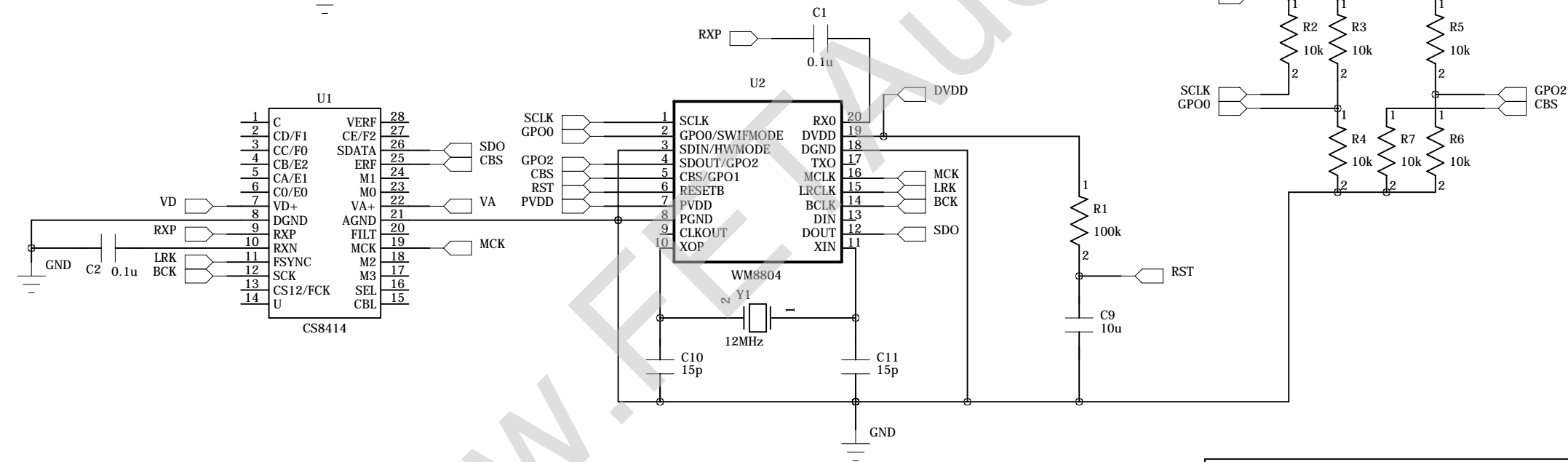
2

1

REVISION RECORD			
LTR	ECO NO:	APPROVED:	DATE:



Mode selection:
 R3/R5: 16bit Right-Justified
 R3/R6: 24bit Left-Justified
 R4/R5: 24 bit I2S
 R4/R6: 16bit I2S
 Only solder two resistors at one time



COMPANY:			
TITLE: WM8804 to CS8412 Converter			
DRAWN: Spencer Cheung	DATED: 2012-07-17	CODE:	SIZE:
CHECKED:	DATED:	DRAWING NO: 8804_8412	
QUALITY CONTROL:	DATED:	REV:	
RELEASED:	DATED:	SCALE:	
SHEET: OF			